

MUTE TUBE

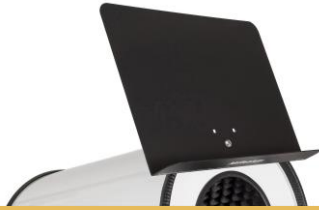
ASSEMBLY INSTRUCTIONS



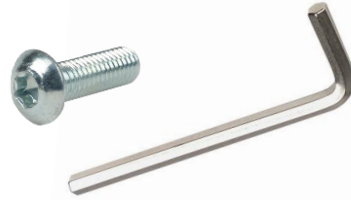


CONTENT

1x Music Holder



1x Screw M10 + 1x Hex Key



1x MUTE TUBE



1x Inclination Adapter



4x Screw M4 + 1x Hex Key

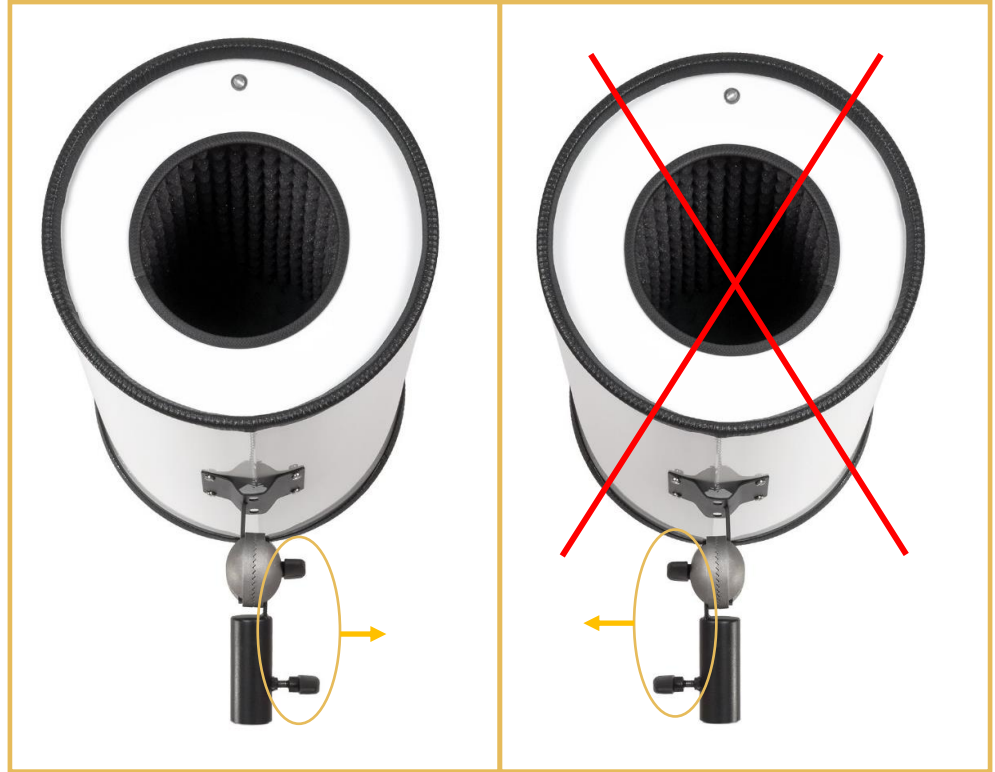
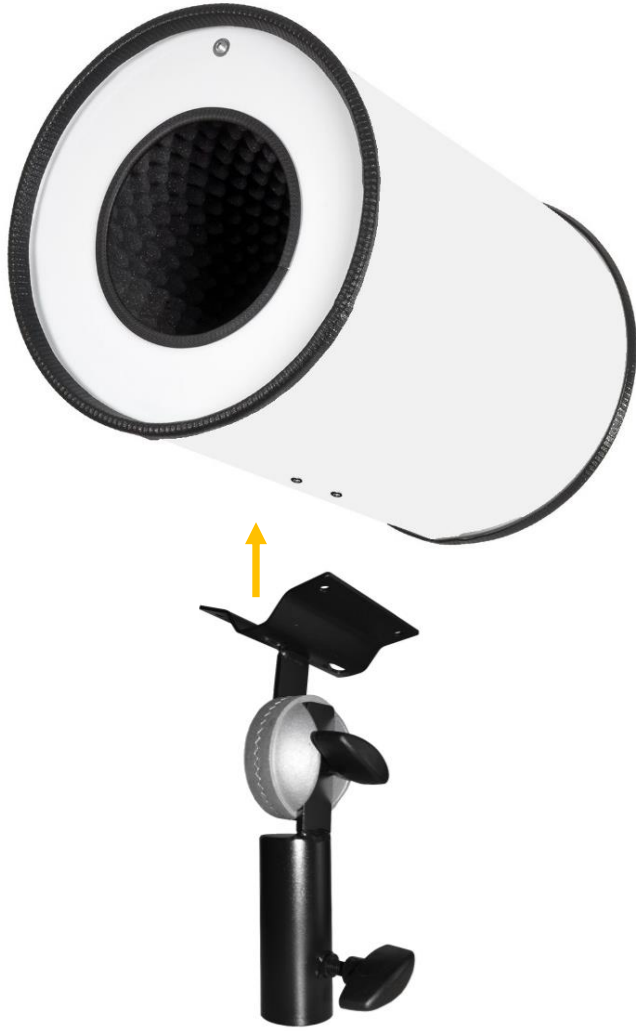


1x Stand-Tripods





MOUNTING THE INCLINATION ADAPTER





MOUNTING THE INCLINATION ADAPTER

Mounting the inclination adapter by tightening the M4 screw with the hex key





MOUNTING THE STAND

tighten the handle



put in the lock pin



spread legs





MOUNTING THE TUBE



tighten the handle





MOUNTING THE MUSIC HOLDER



Mounting the music holder
by tightening the M10 screw
with the hex key





ADJUSTABLE HEIGHT



Danger of injury when adjusting under load: Please remove the Mute Tube before adjusting the height of the stand.



ADJUSTABLE ANGLE



Danger of tipping and injury when adjusting the angle under load: Please remove the Mute Tube before adjusting the angle of the adapter.



SAFETY NOTES



Danger for children

Ensure that plastic bags, packaging, etc. are properly disposed of and are not in the reach of babies and young children. Choking hazard!
Ensure that children do not detach any small parts (e.g. knobs or the like) from the product. They could swallow the pieces and choke!
Never let children play unattended with the product.

Danger of tipping when transported under load

If the stand is moved without having removed the installed device/tube. The stand may tip over and cause injuries and property damage
Remove the installed device/tube before transporting the stand.

Danger of tipping on unsuitable surfaces

When the stand is installed on soft or uneven ground, The stand with the mute tube may tip over and cause injuries and property damage
Install the stand only on even and solid surfaces.

Possible staining

The plasticizer contained in the rubber feet of this product may possibly react with the coating your parquet, linoleum, laminate or PVC floor and after some time cause permanent dark stains.
In case of doubt, do not put the rubber feet directly on the floor, but use felt-pad floor protectors or a carpet.